

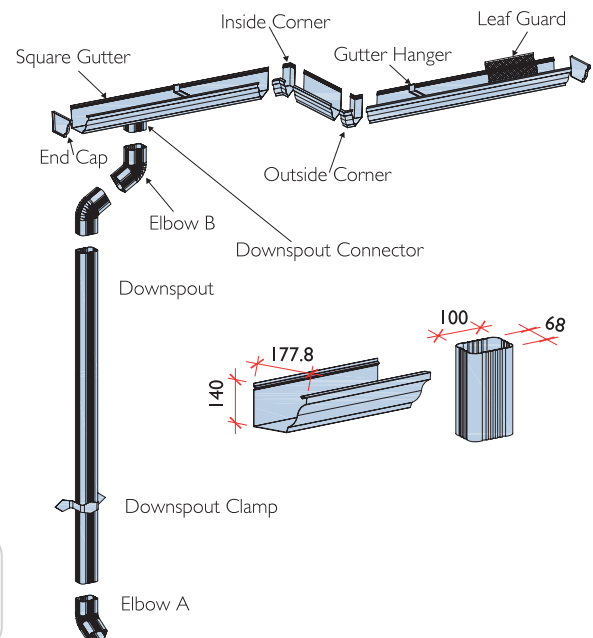
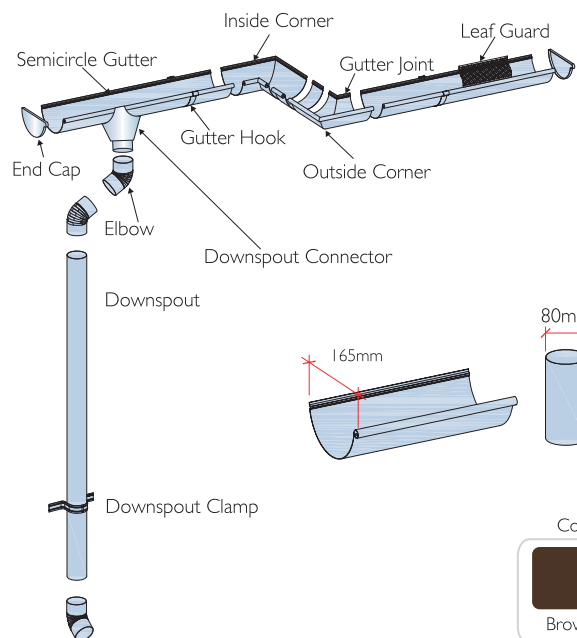
Features

- Superior quality design
- Non corrosive metal
- Light in weight
- Modular in nature
- Easy-to-install
- Easy integration with rainwater harvesting systems
- Available in two attractive colours
- Recyclable material
- Available with a complete range of fittings and accessories

Types of Gutter Systems

For the Indian market, Monier has introduced two types of metal gutter systems: Luxla Round and Luxla Square.

Luxla Round	Luxla Square
Conventional half round profile	Modern, contemporary square profile
6.5 inch diameter gutter cross-section	Higher volumetric capacity with 7 inch wide gutter section
Aesthetically pleasing and modular design	Aesthetically superior and modular design and easily concealable downspout



Visit our exclusive Showroom and Orientation Center

Monier Roofing Pvt. Ltd.

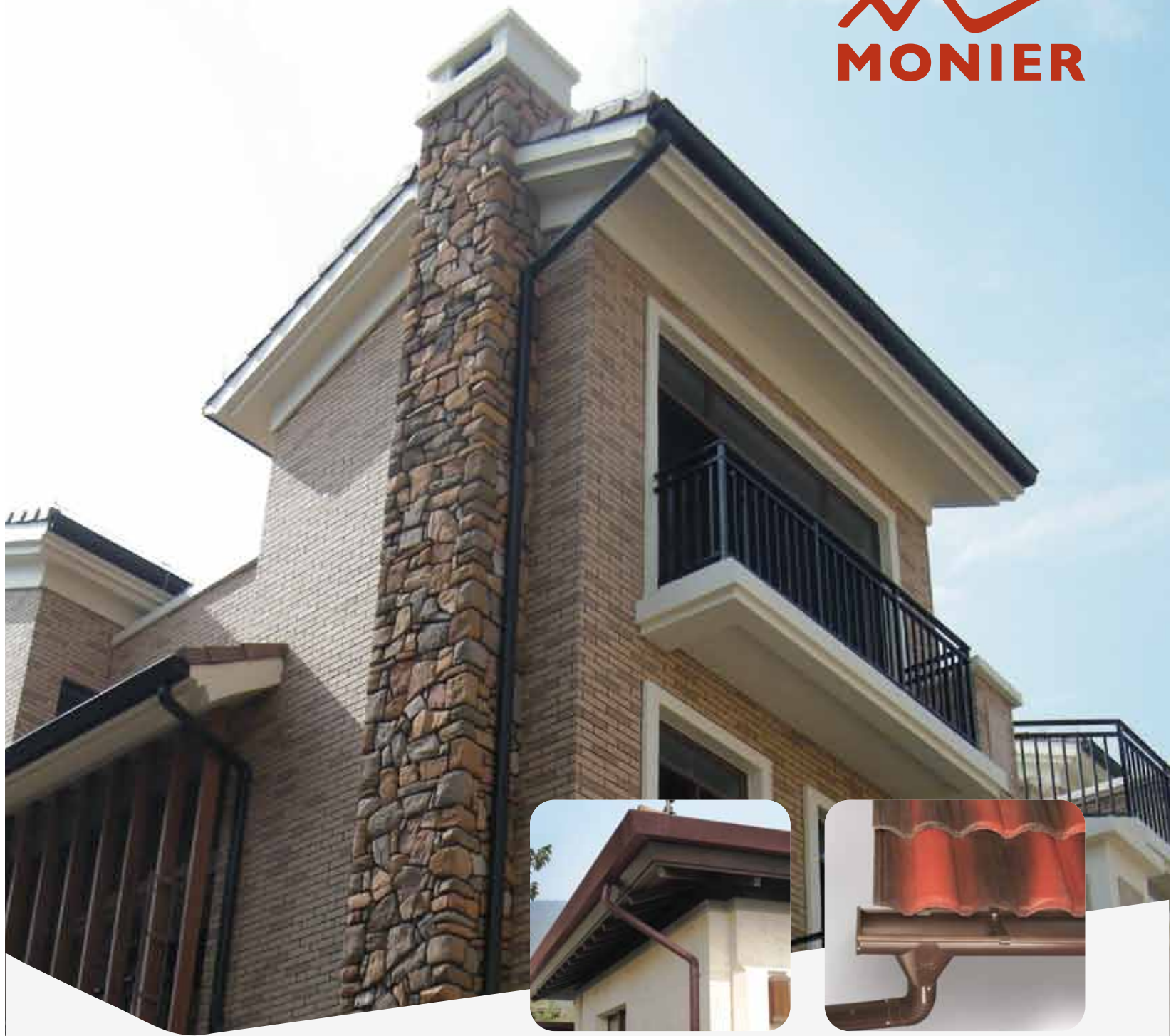
143/C3, Bommasandra Industrial Area,
1st Phase, Bangalore 560 099
Tel: 080 4126 8116/7, Mob: +91 90191 10303
Email: contact.india@monier.com

Monier Exclusive Showrooms at

Kochi: Near Oberon Mall, By-Pass Road, Kochi, Kerala (South India)
Mob: +91 98957 77355

Pune: Ingawale Patil Estate, Bhugon, Mulshi, Pune 412 115
Mob: +91 98220 34037

New Delhi: #103, 100 Feet Road, Chattarpur, New Delhi 110 030
Mob: +91 99999 25094



Luxla™

Rainwater Gutter System

Luxla™ rainwater gutter system is a high-quality pitch roof water drainage system. This unique drainage system uses superior quality Magnesium Aluminium Alloy (AL Grade 3003) as raw material. It comes with a surface coating of premium weatherproof Poly Ethylene paint to ensure long-lasting beauty.



MORE POWER TO YOUR ROOF